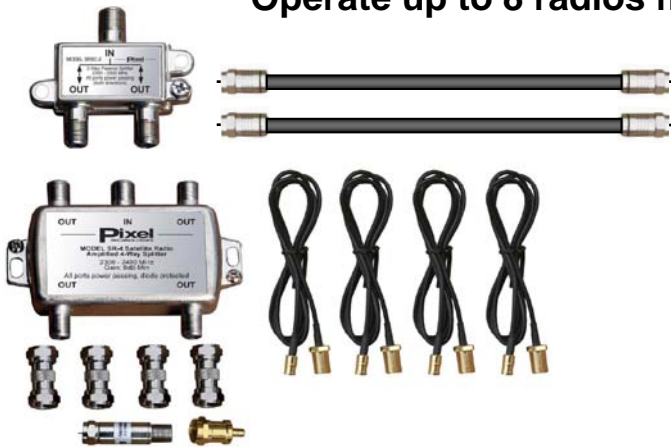
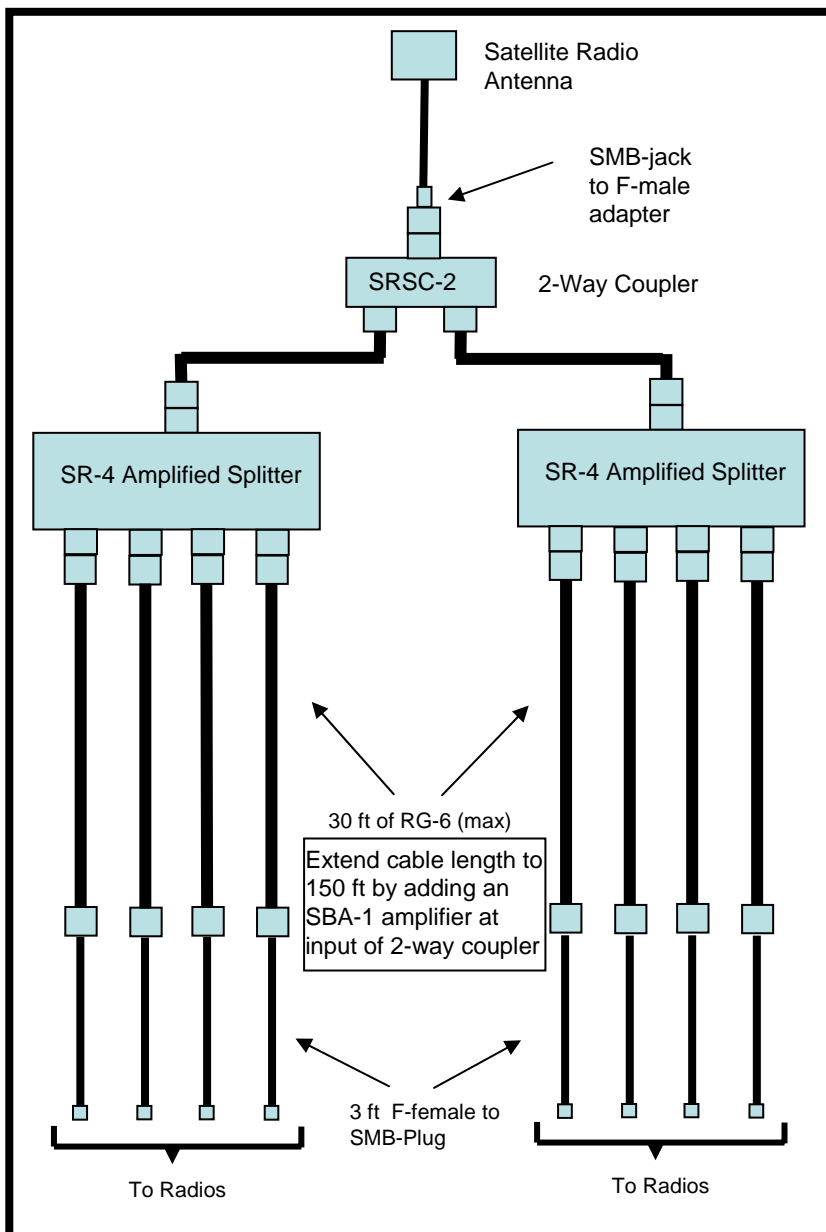


Model: SR-8 Eight-Way Amplified Splitter Kit

Operate up to 8 radios from a single antenna



XM and Sirius Compatibility



Includes all the required splitters and adapters to connect up to eight radios to a single antenna using standard RG-6 cable (not supplied) without degrading signal quality. As shown the radios can be located up to 30 feet from the output of the splitter. By adding a single amplifier (Model SBA-1) to the input port of the 2-way coupler in series with the antenna, the output cable length can be increased to 150 ft.

- Kit Includes:**
- (1) SRSC-2 Two way Coupler
 - (2) 12" F-male to F-male RG-6 jumper
 - (2) SR-4 Amplified 4-way splitter