

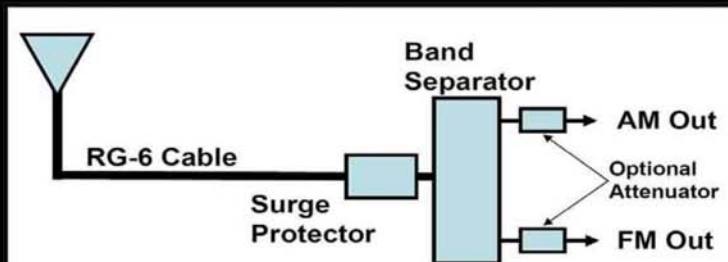
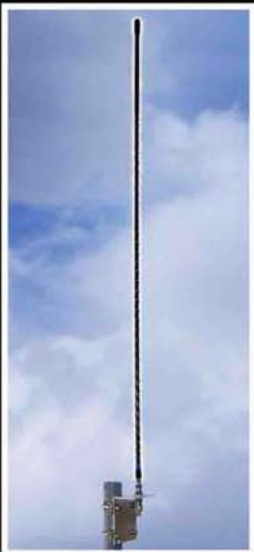
Need Great AM/FM and HD Radio Reception?



Photo Courtesy of the NAIC - Arecibo Observatory, a facility of the NSF

Pixel's Got the Antenna for You!

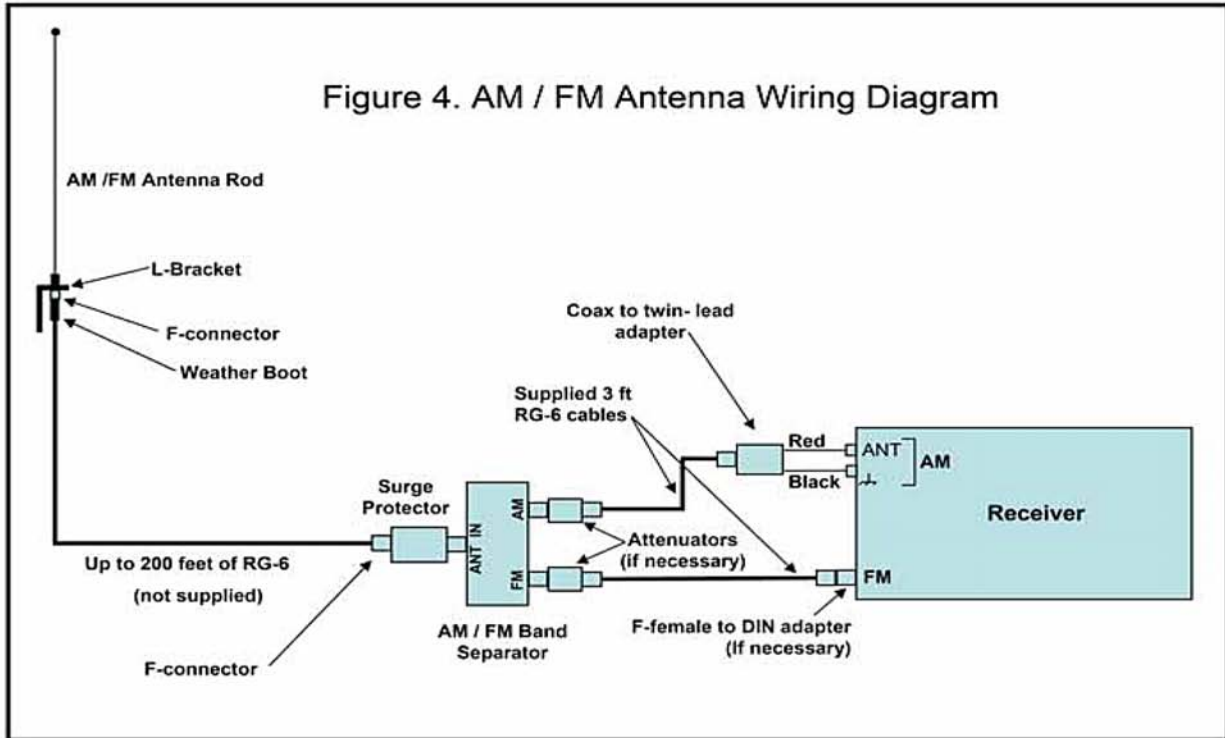
Actually, that antenna is not for sale, but Pixel Technologies has got a good alternative that delivers best in class AM/FM & HD Radio reception over a single RG-6 cable. Designed for easy outdoor or attic installation with rugged pro-quality construction, this low profile omni-directional antenna will bring out the best performance from any receiver.



Model AFHD-4 AM/FM Antenna Kit



Model AFHD-4



Specifications:

Antenna length: 48 inches
Frequency of Operation:
 AM Band 500 KHz to 1750 KHz
 FM Band 88MHz -108 MHz
Ground plane required: None
AM capture length: 300 inches

AM / FM Band Separator Performance:

FM rejection in AM band: > 50 dB
 AM rejection in FM band: > 60 dB
 AM/FM Pass-band loss: < 1dB
 AM load impedance: 300 ohms
 FM load impedance: 75 ohms

Antenna Beam Width: Omni-directional

Reception Performance:

These results will vary as function of the antenna's height above ground, the power of transmitting station, the transmitter's antenna beam pattern, the local terrain and the quality of the receiver utilized. Table 1 shows actual reception test results for the antenna mounted 20 feet above ground over flat terrain, using a Sangean Model HDT-1X as the receiver with 200 ft of cable between the antenna and receiver.

Table 1. Reception Capability

Receive Mode	Reliable Good Quality Daytime Reception
FM Stereo	80 Miles
FM HD	50 Miles
AM (Mono)	90 Miles
AM HD	50 Miles

Test Conditions:

Receiver: Sangean HDT-1X
 Cable Length (antenna to receiver): 200 feet RG-6 cable
 Antenna height above ground: 20 feet
 Terrain: Flat

Items Included in Kit

QTY	Description
1	AM / FM antenna
1	L-mounting bracket
1	Weather boot
1	Surge protector
2	20 dB attenuator
2	10 dB attenuator
2	3 ft RG-6 cables
1	AM/FM band separator
2	U bolts with washers and nuts
2	Pole mount saddle brackets
4	Mounting screws with plastic inserts
1	F-Female to twin lead adaptor

AM / FM Expansion Kit

Model: AF Kit



For use with Model: AFHD-4 AM / FM Antenna.

Provides required components to add one additional AM / FM receiver to an AFHD-4 AM / FM antenna. Requires the addition of a splitter (MBS-2 or MBS-4).

Kit Includes:

- (1) AM Twin Lead Adapter
- (1) F-Male to DIN Adapter
- (1) Surge Protector and AM / FM Band Separator
- (2) 10 dB Attenuators
- (2) 20 dB Attenuators
- (2) 3 ft RG-59 Cables